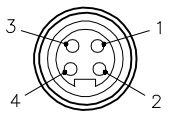


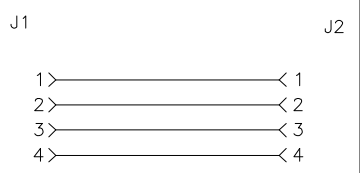
FEMALE END VIEW

WIRING SCHEMATIC

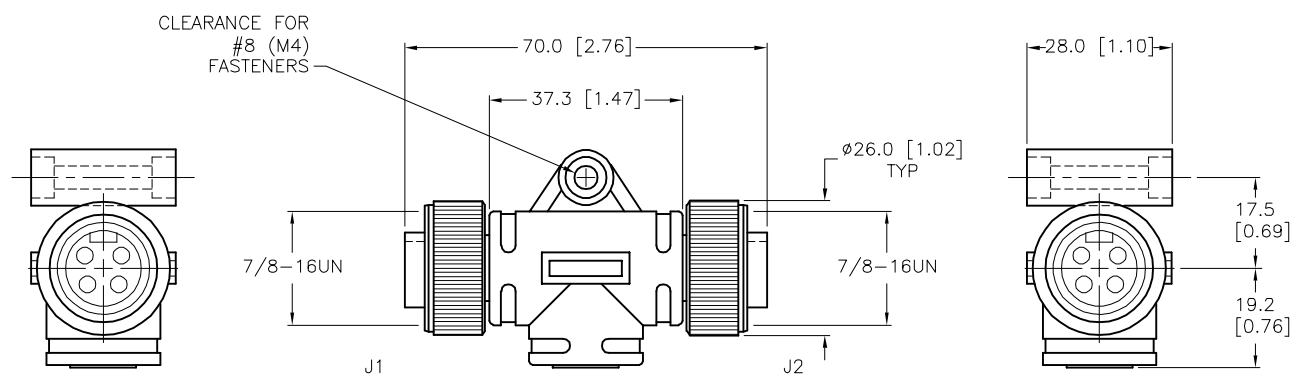
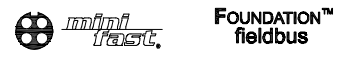
SPECIFICATIONS



1 = (- VOLTAGE)  
 2 = (+ VOLTAGE)  
 3 = (SHIELD)  
 4 = (GROUND)



CONTACT CARRIER MATERIAL	TPU
MOLDED HEAD MATERIAL/COLOR	TPU/YELLOW
CONTACT MATERIAL/PLATING	BRASS/GOLD
COUPLING NUT MATERIAL/FINISH	STAINLESS STEEL/PASSIVATED
RATED CURRENT [A]	9.0 A
RATED VOLTAGE [V]	250 V
TEMPERATURE RATING	-40°C TO +55°C (-40°F TO +131°F)
PROTECTION CLASS	MEETS NEMA 1,3,4,6P AND IEC IP67



SOURCE DRAWING - FOR REFERENCE ONLY

NOTE: ALL CONNECTOR HARDWARE IS 316 STAINLESS STEEL.

RELATED DOCUMENTS 1. 2. 3. 4.	3RD ANGLE PROJECTION 	THIS DRAWING IS CONFIDENTIAL AND THE PROPERTY OF TURCK INC. USE OF THIS DOCUMENT WITHOUT WRITTEN PERMISSION IS PROHIBITED.		3000 CAMPUS DRIVE MINNEAPOLIS, MN 55441 1-800-544-7769 (763) 553-7300 (763) 553-0708 fax www.turck.us	
	MATERIAL	DRFT GC	DATE 9/16/98	DESCRIPTION RKV RKV 49	
FINISH	ALL DIMENSIONS DISPLAYED ON THIS DRAWING ARE FOR REFERENCE ONLY	APVD GC	SCALE 1.5=1	IDENTIFICATION NO. U5133-75	
CONTACT TURCK FOR MORE INFORMATION		UNIT OF MEASUREMENT <b>MILLIMETER [ INCH ]</b>		REV C	
DO NOT SCALE THIS DRAWING		FILE: U5133-75		SHEET 1 OF 1	

C	UPDATE RATED VOLTAGE	NF	08/02/17	61408
REV	DESCRIPTION	BY	DATE	ECO NO.